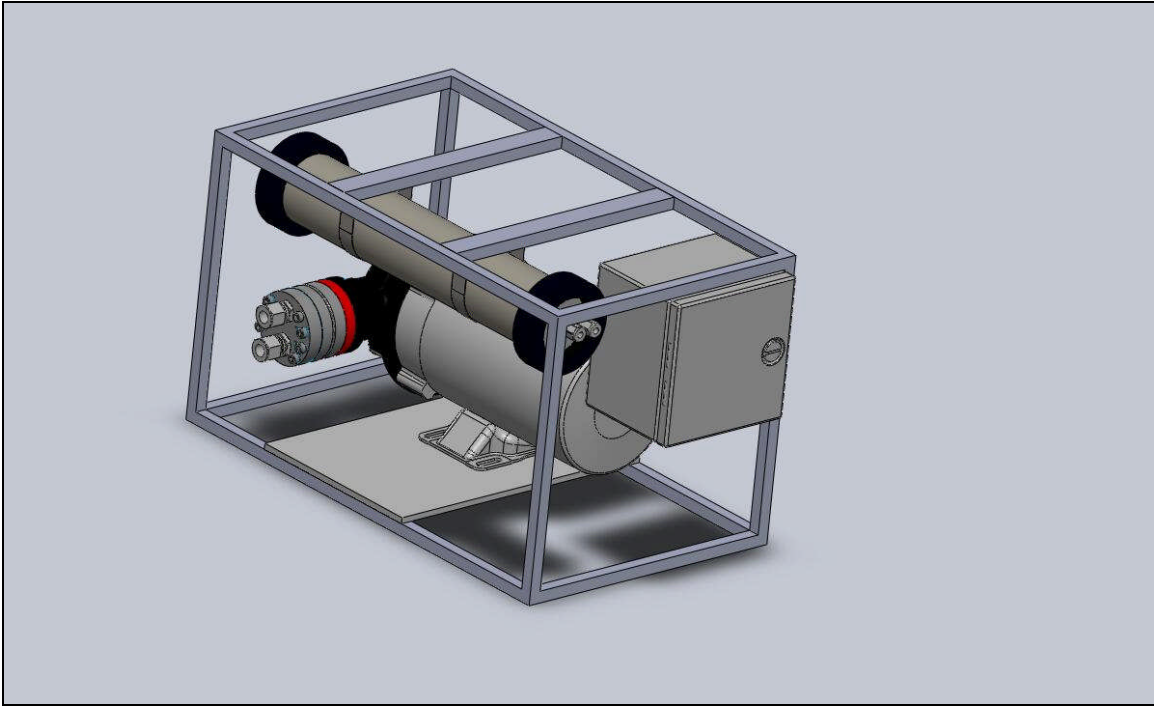


Quotation For:     **Model: SWRO-70**  
                          **70 GPD / 265 Liters per Day**  
                          **Seawater Desalination System**

(Quotation is valid for 90 days)



ZYI Corporation

446 Nelo Street  
Santa Clara, CA 95054  
USA  
[www.foreverpure.com](http://www.foreverpure.com)

Tel. 408.969.2688  
Fax. 408.969.2683  
E-mail. [sales@foreverpure.com](mailto:sales@foreverpure.com)

*ForeverPure*<sup>TM</sup>

---

**Price List**

---

Item#	Model Item	Unit Price
	<b>Model: SWRO-70</b>	<b>USD</b>
	<b>Production Rate: 70 GPD/265 Liters per day</b>	
	Feed Water Rate: 0.5 gpm	
<hr/>		
<b>1.</b>	<b>RO System</b>	
	<b>Pre-Treatment Systems</b>	
2.	Infeed water strainer	
3.	5 micron sediment pre-filter	
	<b>Total ( Ex. Work, Santa Clara, California)</b>	<b>\$3150</b>
	<b>Options</b>	
	1 gpm, 12VDC feed water booster pump	\$210
	24V, ½ HP, DC motor	Add \$ 250
	UV Sterilization System, 2 gpm, 12V	Add \$120
	Combustion engine driven, gasoline or diesel	Add \$450
	Solar/wind hybrid power supply with 2 x 12V deep cycle batteries	Add \$2580

---

**Model: SWRO-70**

## **70 GPD/265 Liters per Day Seawater Reverse Osmosis Desalination System**

Daily production rate:	70 GPD / 265 Liters Per Day
Feed water:	less than 35000 ppm
Required feed water pressure:	40 psi
Average feed water temperature:	25 °C/ 77 °F
Product water quality:	less than 500 ppm
Recovery Rate:	10 %
Feed water rate:	0.5 GPM
Working Pressure:	up to 800 psi
Dimension (L x W x H):	20" x 12" x 12", 51cm x 31cm x 31cm
Weight:	50 lbs, 22.7kg

### **1. RO System**

The construction of the membrane is a Thin Film Composite (TFC). It is the highest quality membrane available in the industry. The reverse osmosis pressure vessel is a heavy-duty housing made of corrosion resistant fiberglass.

- **Pre-Filtration System:** PVC housing, 5-micron cartridge type sediment filter further reduces suspended solids in the feed water stream to RO system. It protects the RO high-pressure pump and lead end RO membrane elements from debris. 3 gpm rating. 1 No.
- **Membrane Housing:** fiberglass, 2.5" housing, holds 1 membranes, 800 psi rated pressure vessel, 1 No.
- **Membranes:** seawater membrane, 1No. 2.5" x 14"
- **High pressure RO Pump:** 0.5 gpm, 800 psi, 316 stainless steel.
- **Motor (60Hz/230V):** 1/2 HP, AC motor, single phase, 110V/220V, 50hz/60hz
- **High pressure side piping material:** 316 Stainless Steel
- **Low pressure side piping material:** PE tubing
- **Concentrate control valve:** 316 Stainless
- **Frame :** power coated, corrosion resistant

---

**Terms of Sale and Delivery**

---

**1. DELIVERY TERMS**

8 weeks after confirmation of order, and receipt of down payment.

**2. PAYMENT TERMS**

Domestic:

50% down payment, 50% prior to shipping by wire-transfer

**3. TAXES:**

Sales, use, excise or similar taxes arising out of or relating to the sale, delivery, installation, or use of the goods described on the face hereof are not included in the price except as otherwise specified herein. All such taxes are the responsibility of the buyer and the seller shall have the right at any time to separately bill the buyer for such tax, which seller may have been requested to pay, and the buyer shall upon receipt of invoice pay the seller the amount stated thereon.